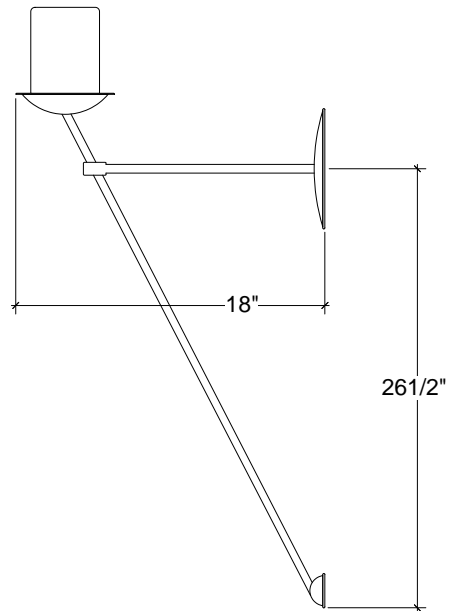
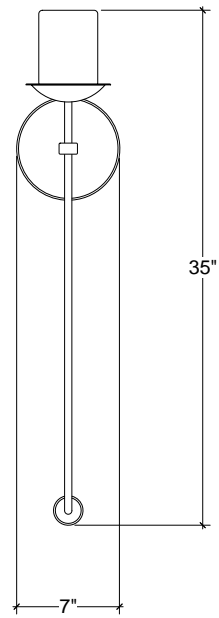


# IRON WARE



<b>Variation</b>	1 Light
<b>Style Number</b>	1070
<b>W</b>	7
<b>D</b>	18
<b>H</b>	35
<b>Surface</b>	Hammered
<b>Lamping</b>	60 Watt Max, Edison
<b>Sleeves/Cylinders</b>	Hand Blown Glass
<b>Weight</b>	5 lbs

## Info

Ironware products are hand forged, and as a result, dimensions may vary.  
All designs by © Karin Eaton / Ironware International, Inc.  
Customization available.

Ironware International is located at 2421 Cruzen Street, Nashville, TN 37211 |  
1.800.850.0460 | [info@ironwareinternational.com](mailto:info@ironwareinternational.com)