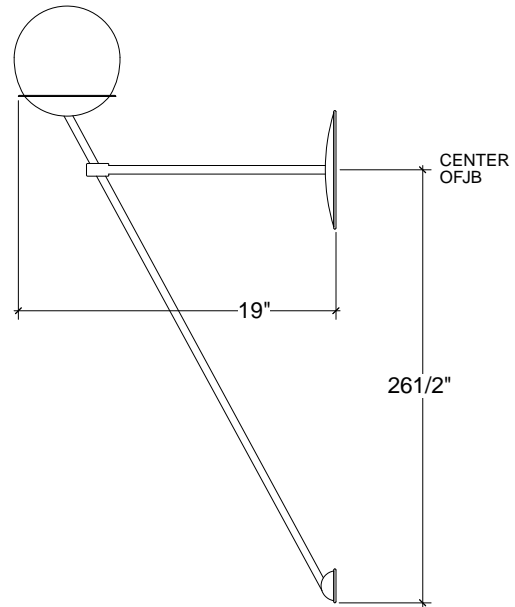
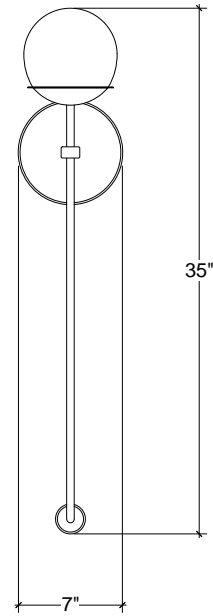


IRONWARE



Variation	1 Light
Style Number	1070G
W	7
D	19
H	34
Surface	Hammered
Lamping	100 Watt Max, Edison
Sleeves/Cylinders	Hand Blown Faceted Globe
Weight	7 lbs

Info

Ironware products are hand forged, and as a result, dimensions may vary.
All designs by © Karin Eaton / Ironware International, Inc.
Customization available.

Ironware International is located at 2421 Cruzen Street, Nashville, TN 37211 |
1.800.850.0460 | info@ironwareinternational.com