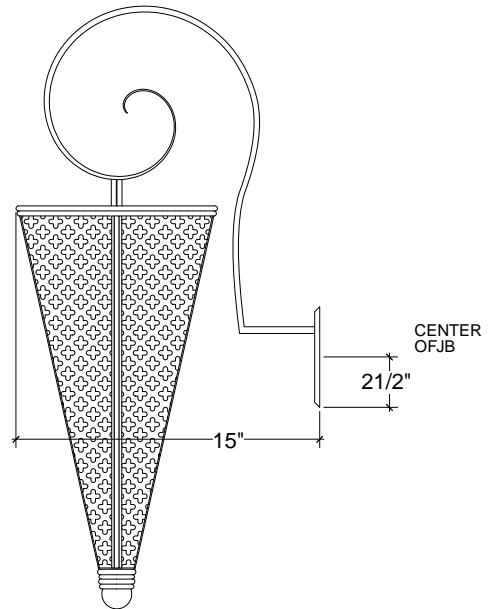
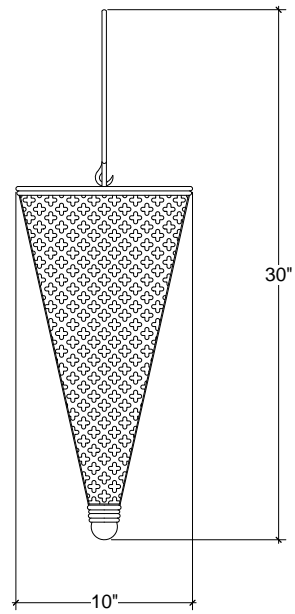


IRON WARE



Variation	1 Light
Style Number	1075
Dia	10
D	15
H	30
Surface	Perforated Tole
Lamping	100 Watt Max, Edison
Weight	8 lbs

Info

Ironware products are hand forged, and as a result, dimensions may vary.
All designs by © Karin Eaton / Ironware International, Inc.
Customization available.

Ironware International is located at 2421 Cruzen Street, Nashville, TN 37211 |
1.800.850.0460 | info@ironwareinternational.com