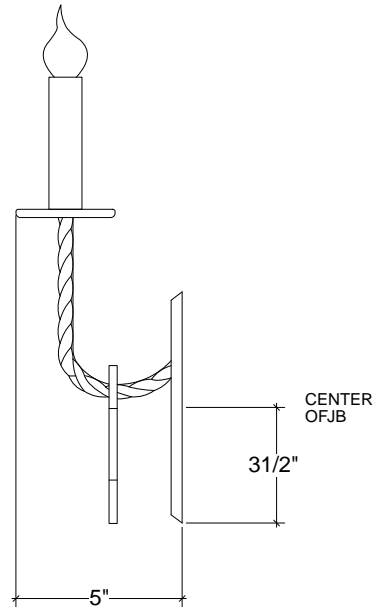
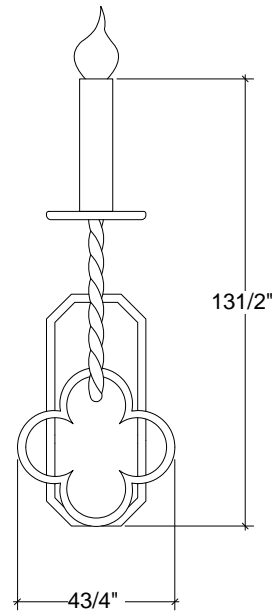


# IRONWARE



<b>Variation</b>	1 Light
<b>Style Number</b>	1099
<b>W</b>	4.75
<b>D</b>	5
<b>H</b>	13.5
<b>Lamping</b>	100 Watt Max, Edison
<b>Sleeves/Cylinders</b>	Ivory Paper
<b>Weight</b>	2 lbs

## Info

Ships with 5" Dia flat backplate. Client may choose to finish or cover the backplate to match their wall.

Ironware products are hand forged, and as a result, dimensions may vary.  
All designs by © Karin Eaton / Ironware International, Inc.  
Customization available.

Ironware International is located at 2421 Cruzen Street, Nashville, TN 37211 |  
1.800.850.0460 | info@ironwareinternational.com