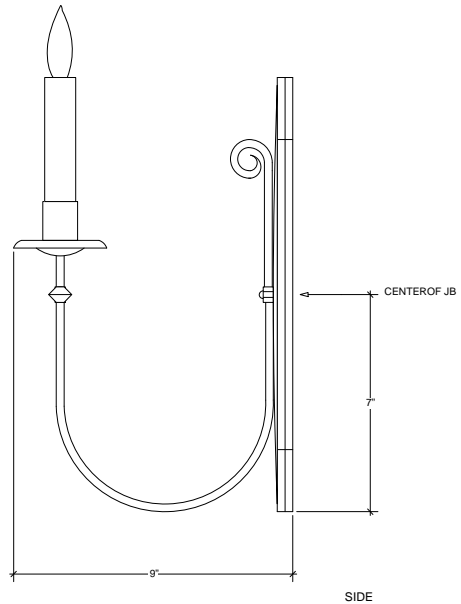
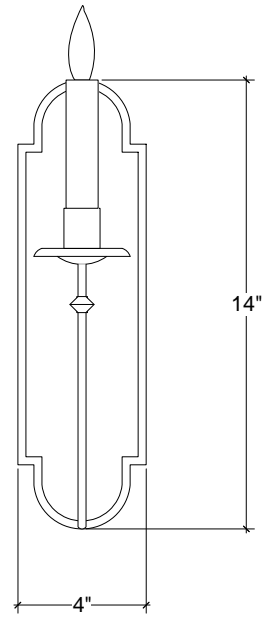


IRON WARE



Variation	1 Light Quickship
Style Number	1119
W	4
D	9
H	14
Lamping	60 Watt Max, Candelabra
Sleeves/Cylinders	Ivory Paper

Info

Ships with 5" Dia flat backplate. Client may choose to finish or cover the backplate to match their wall.

Ironware products are hand forged, and as a result, dimensions may vary. All designs by © Karin Eaton / Ironware International, Inc. Customization available.

Ironware International is located at 2421 Cruzen Street, Nashville, TN 37211 | 1.800.850.0460 | info@ironwareinternational.com