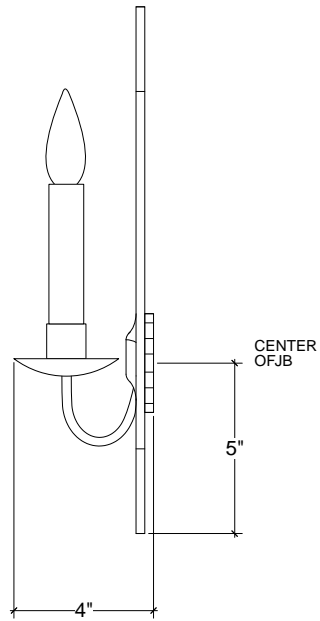
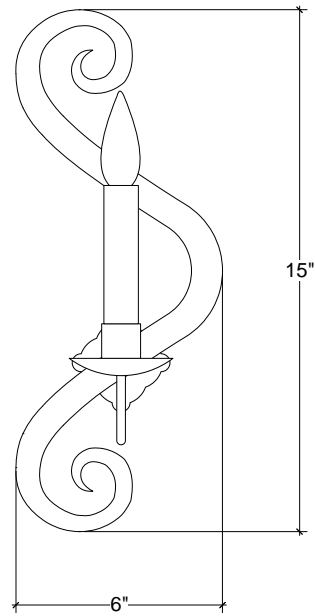


# IRONWARE



<b>Variation</b>	1 Light
<b>Style Number</b>	1120
<b>W</b>	6
<b>D</b>	4
<b>H</b>	15
<b>Surface</b>	Reeded Strapwork
<b>Lamping</b>	60 Watt Max, Candelabra
<b>Sleeves/Cylinders</b>	Ivory Paper
<b>Weight</b>	3 lbs

## Info

Ships with 5" Dia flat backplate. Client may choose to finish or cover the backplate to match their wall.

Ironware products are hand forged, and as a result, dimensions may vary. All designs by © Karin Eaton / Ironware International, Inc. Customization available.

Ironware International is located at 2421 Cruzen Street, Nashville, TN 37211 | 1.800.850.0460 | [info@ironwareinternational.com](mailto:info@ironwareinternational.com)