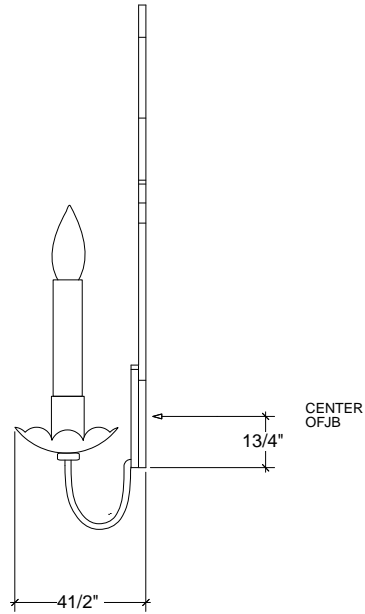
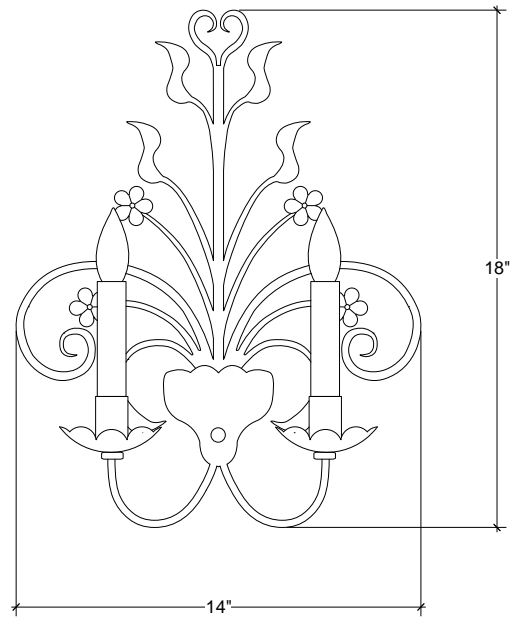


# IRONWARE



<b>Variation</b>	2 Lights
<b>Style Number</b>	179
<b>W</b>	14
<b>D</b>	4.5
<b>H</b>	18
<b>Lamping</b>	60 Watt Max, Candelabra
<b>Sleeves/Cylinders</b>	Ivory Paper
<b>Weight</b>	3.5 lbs

## Info

Ironware products are hand forged, and as a result, dimensions may vary.  
All designs by © Karin Eaton / Ironware International, Inc.  
Customization available.

Ironware International is located at 2421 Cruzen Street, Nashville, TN 37211 |  
1.800.850.0460 | [info@ironwareinternational.com](mailto:info@ironwareinternational.com)