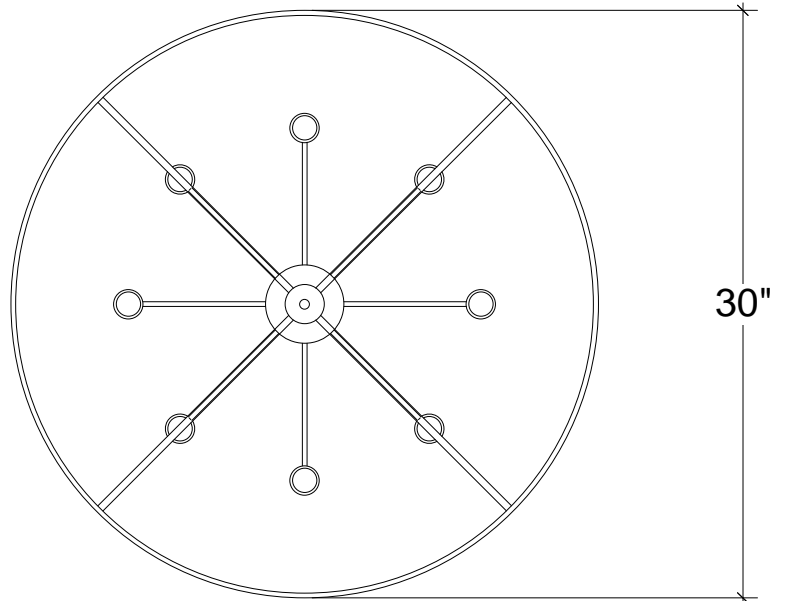
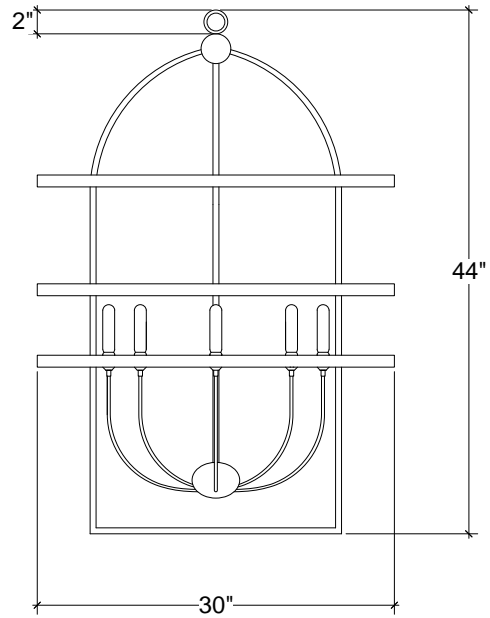


IRONWARE



Variation	8 Lights Quickship
Style Number	8158B
Dia	30
H	44
Lamping	60 Watt Max, Edison
Sleeves/Cylinders	Ships with bulbs as shown
Weight	37 lbs

Info

Ironware products are hand forged, and as a result, dimensions may vary.
All designs by © Karin Eaton / Ironware International, Inc.
Customization available.

Ironware International is located at 2421 Cruzen Street, Nashville, TN 37211 |
1.800.850.0460 | info@ironwareinternational.com