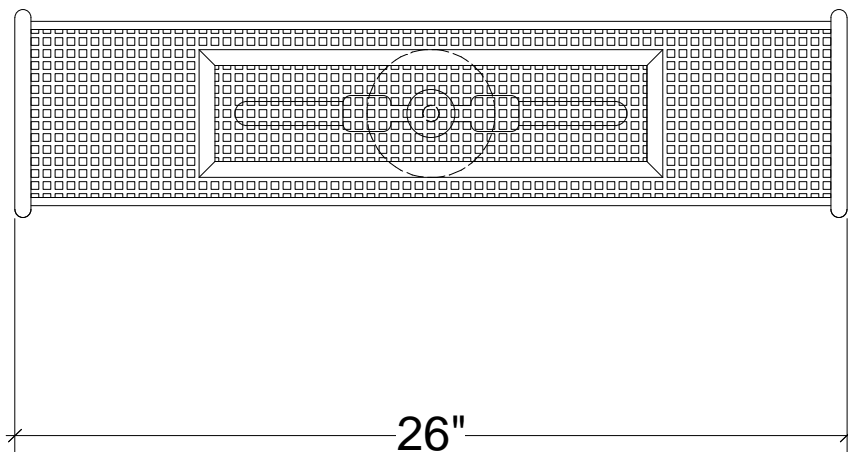
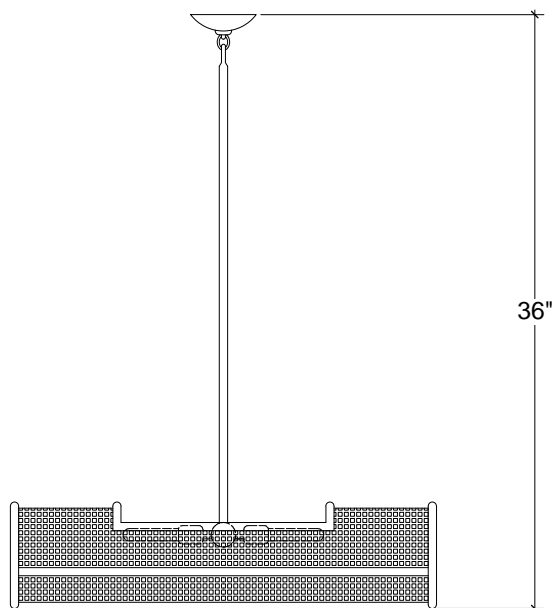


IRONWARE



Variation	2 Light
Style Number	8160
W	26
H	36
Surface	Perforated Tole
Lamping	100 Watt Max, Edison
Weight	10 lbs

Info

Ships with canopy assembly measuring 5.75" Dia x 3.75"H. 40" of chain included upon request.

Ironware products are hand forged, and as a result, dimensions may vary. All designs by © Karin Eaton / Ironware International, Inc. Customization available.

Ironware International is located at 2421 Cruzen Street, Nashville, TN 37211 | 1.800.850.0460 | info@ironwareinternational.com