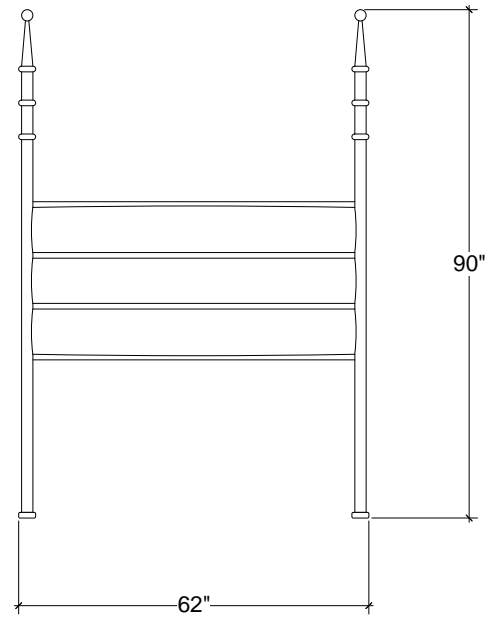


IRONWARE



Style Number

DQ-UH3

Surface

Hammered

Info

Shown in Queen size as Headboard only. Available in Twin, Full, Queen, King, and California King. Call for pricing.

We advise clients to specify their desired height of frame from floor and mattress/boxspring required space (height). Ironware will adjust other dimensions to achieve the proportions as seen in the photo. All dimensions may be customized if desired.

COM 4.5 yards / COL 72 square feet

Lead time 12-16 weeks

Ironware products are hand forged, and as a result, dimensions may vary. All designs by © Karin Eaton / Ironware International, Inc. Customization available.

Ironware International is located at 2421 Cruzen Street, Nashville, TN 37211 | 1.800.850.0460 | info@ironwareinternational.com