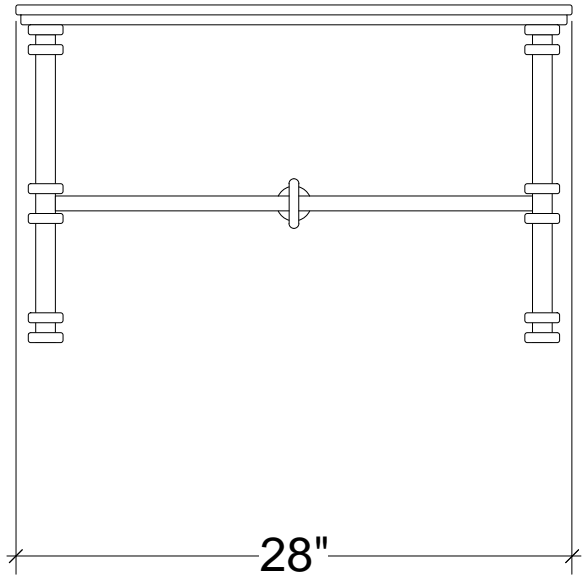
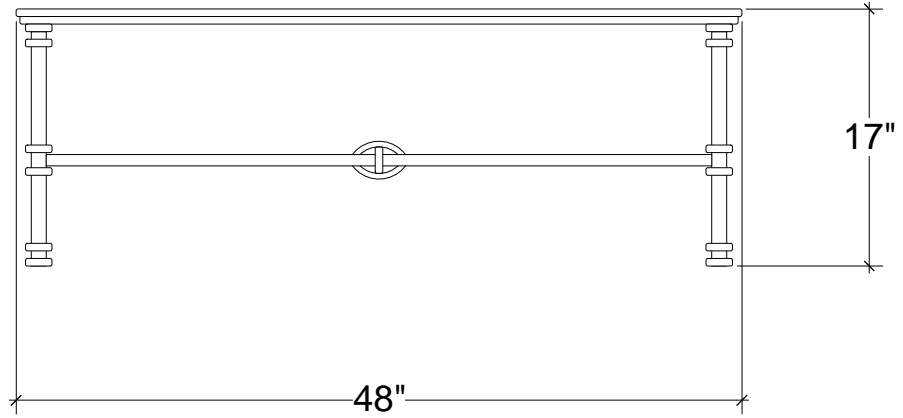


IRONWARE



Style Number	G6B
W	28
L	48
H	17
Surface	Hammered
Weight	85 lbs

Info

Includes 1/2" Inset glass top

Ironware products are hand forged, and as a result, dimensions may vary.

All designs by © Karin Eaton / Ironware International, Inc.

Customization available.

Ironware International is located at 2421 Cruzen Street, Nashville, TN 37211 |
1.800.850.0460 | info@ironwareinternational.com